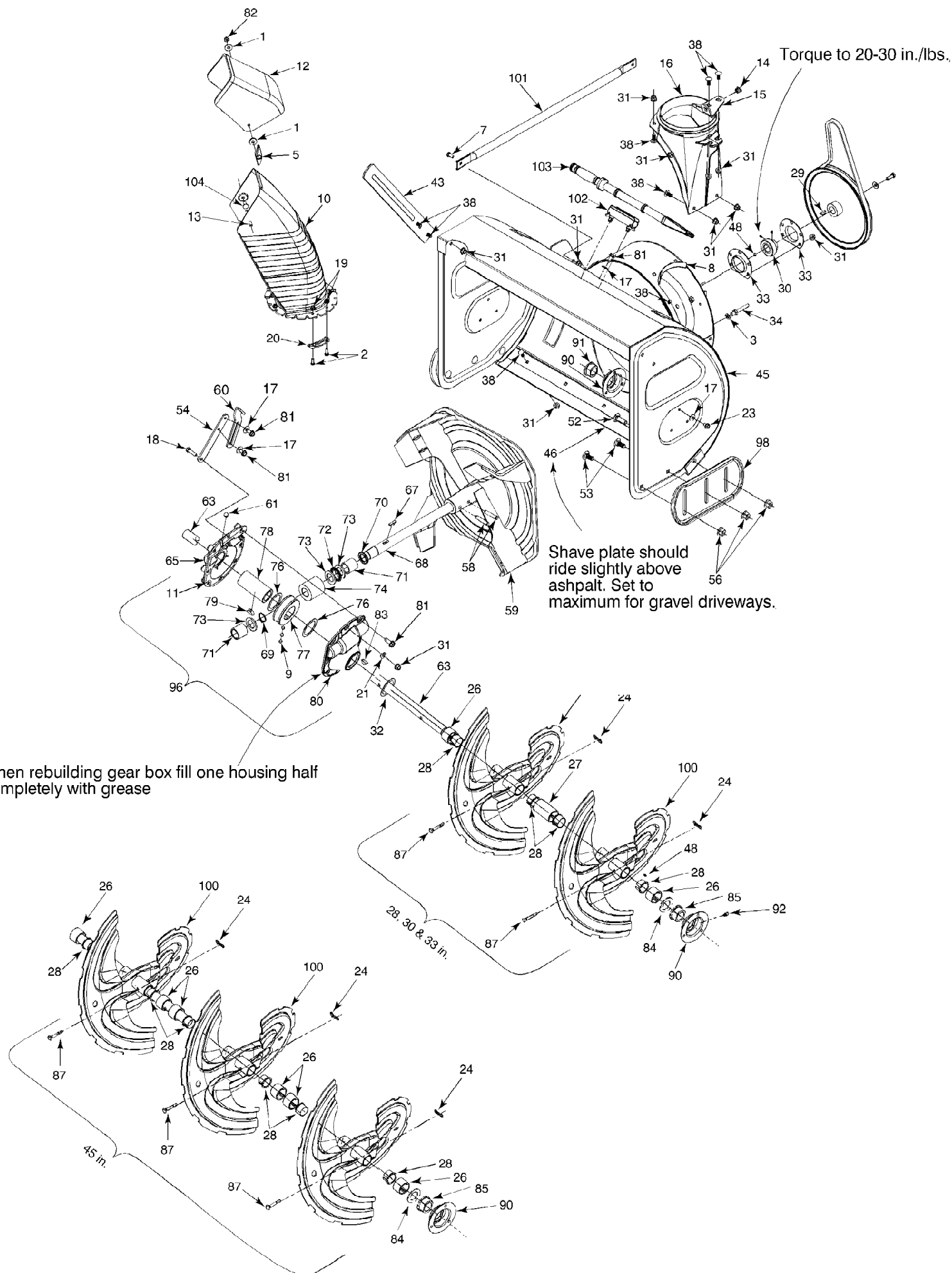


31AE9P6J590 SB-945 (2005-2)  
Auger Assembly

Page 2 of 16

Ref #	Part Number	Qty	S/P/F	Description
1	712-0717	1		Nut Insert 3/8-16 UNC
2	712-04063	1	/P	Hex Flg. L-Nut 5/16-18 Gr. F Nylon
3	618-0281A	1	S	Brake Bracket Ass'y (900 Series)
4	710-0459A	1	/P	Hex Scr 3/8-24 x 1.50 Gr. 5
5	711-0677	1	S	Adjustment Ferrule
6	712-0116	1	S	Hex Nut 3/8-24 Gr. 5
7	714-0104	1	S	Int. Cotter Pin .072 x 1.13" Lg.
8	732-0858	1		Extension Spring .470 Dia. x 4.75
9	736-0174	1	/P	Wave Washer .625 ID x .885 OD x .015
10	736-3008	1	S	Flat Washer .344 ID x .75 OD x .120
11	738-0281	1	S	Shoulder Scr .625 Dia x .170
12	747-0980	1		Auger Idler Rod
13	756-0178	1		Flat Idler Pulley
14	784-0385A	1	S	Auger Idler Bracket
15	754-0222A	1	S	V-Belt 1/2 x 44" Lg.
16	756-0243	1		1/2" V-Pulley .875 ID x 10.12 OD
17	736-0242	1	/P	Cupped Washer .345 ID x .88 OD x .06
18	710-0371	1	/P/F	Hex Screw 5/16-18 x .88
19	736-0169	1	S	Lockwasher 3/8" ID
20	711-0640	1	S	Belt Keeper Studs 3/8-16 x 2.75

31AE9P6J590 SB-945 (2005-2)  
Chute Assembly



31AE9P6J590 SB-945 (2005-2)  
Chute Assembly

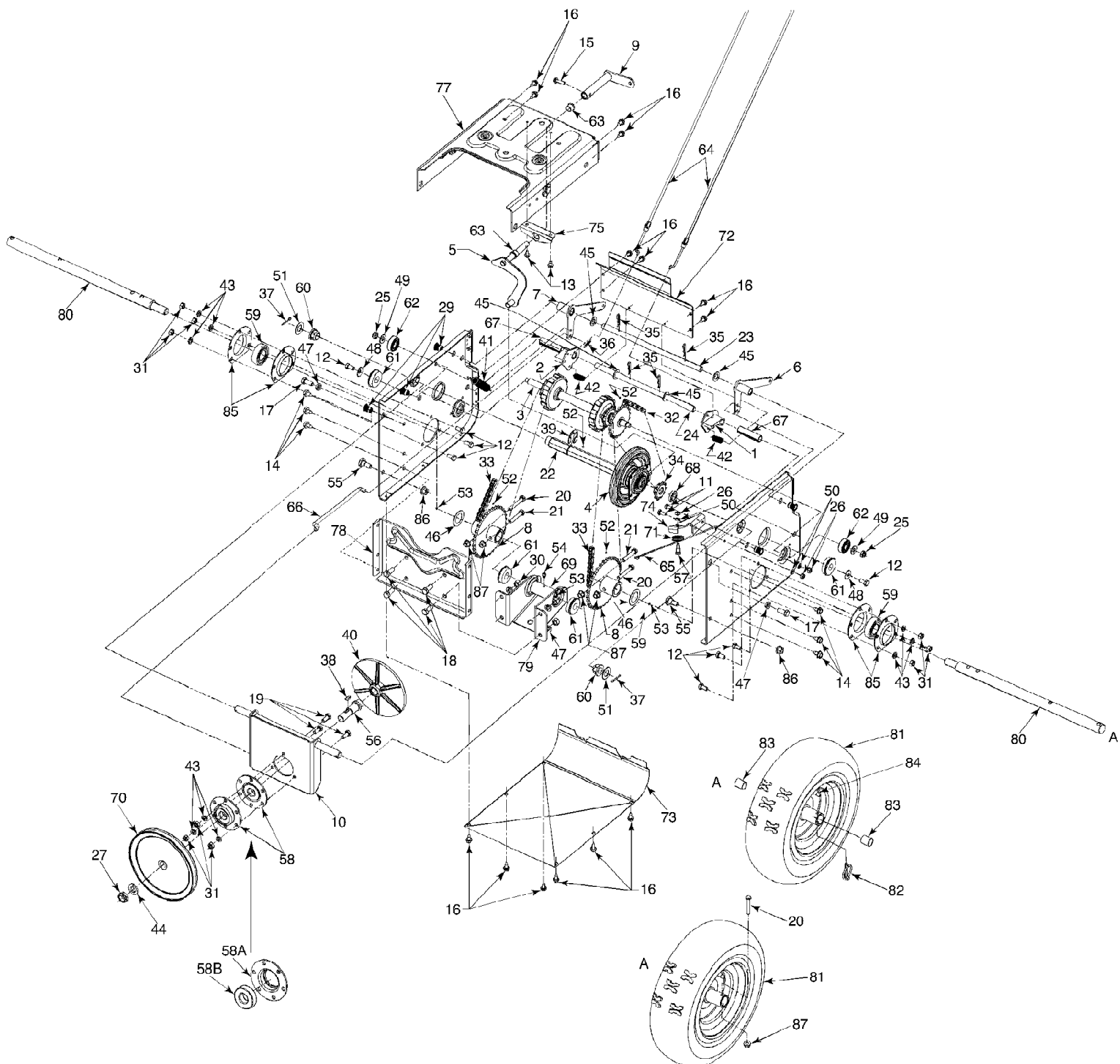
Page 4 of 16

Ref #	Part Number	Qty	S/P/F	Description
1	736-0159	1	S	Flat Washer .344 ID x .875 OD
2	710-0597	1	/P	Hex. Scr. 1/4-20 x 1.00 Gr. 5
3	736-0169	1	S	Lockwasher 3/8" ID
5	720-0284	1	S	Handle Knob Assembly
7	710-3008	1	/P	Hex Hd Cap Scr. 5/16-18 x .75 Gr. 5
8	784-5711	1	S	Chute Bracket
9	737-0168	1	S	Shell Alvania Grease (3 oz.)
10	731-0903D	1	S	Extended Lower Black Plastic Chute
11		1		Ultra Grey Loctite #5699 (purchase locally)
12	731-0846C	1	/P	Upper Black Plastic Chute
13	710-0276	1	/P	Carriage Bolt 5/16-18 x 1.00" Lg
14	741-0475	1	S	Plastic Bushing .380 ID
15	784-5123	1	S	Chute Brkt.
16	731-1696A	1	S	Chute Adapter
17	736-0242	1	/P	Cupped Washer .345 ID x .88 OD x .06
18	710-0528	1	/P	Hex Screw 5/16-18 x 1.25
19	712-04064	1	/P	Hex Flange L-Nut 1/4-20 Gr. F Nylon
20	731-0851A	1	/P	Chute Flange Keeper
21	736-0271	1	S	Lockwasher 5/16" ID
22	712-3004A	1	/P	Flange L-Nut 5/16-18 Gr. 5 Nylon
23	710-0726	1	/P	Hex Wash HD Tap Scr 5/16-18 x .75
24	714-04040	1		Bow Tie Cotter Pin
26	731-05163	1		Spacer 1.5 x 1.0 ID x 1.0" Lg.
27	731-05162	1		Spacer 1.5 x 1.0 ID x 2.5" Lg.
28	741-0494	1		Flange Bushing 1.05 ID x 1.16 OD
29	714-0126	1	S	#9 HI-Pro Key 3/16 x 3/4 Dia HT
30	741-04024	1	S	Self-Aligning Bearing .875 ID
31	712-04063	1	/P	Hex Flg. L-Nut 5/16-18 Gr. F Nylon
32	736-3046A	1		Flat Washer 1.010 x 1.88 x .060
33	05244A	1	S	Bearing Housing
34	711-0640	1	S	Belt Keeper Studs 3/8-16 x 2.75
38	710-0451	1	/P	Carriage Bolt 5/16-18 x .75
43	790-00181	1		Drift Cutter
45	684-0164A	1		Snowthrower Housing Assembly - Heavy Duty w/brace 28"
45	684-0166A	1	/P	Snowthrower Housing Assembly -Heavy Duty w/brace 33"
45	684-0155A	1		Snowthrower Housing Assembly -Heavy Duty w/brace 45"
46	784-5716A	1		Shave Plate 28"
46	784-5714A	1	S	Shave Plate 33"
46	784-5696B	1	S	Shave Plate 45"
48	737-0318	1	S	Arctic Grease
52	710-3168	1	/P	Carriage Bolt 3/8-16 x 1.00 Gr. 5
53	710-0389	1	/P	Carriage Bolt 3/8-16 x .75" Lg.
54	784-5710	1	S	Gear Housing Support Plate 1 x 3/16
56	712-04065	1	/P	Hex Flange L-Nut 3/8-16 Gr. F Nylon
58	715-0118	1	S	Spring Spirol Pin Heavy - 5/16 dia x 1.7
59	684-0090A	1	S	Blower Fan Ass'y Complete
60	784-5076	1	S	Gear Housing Support Bracket
61	721-0325	1		Barbed Plug

31AE9P6J590 SB-945 (2005-2)  
Chute Assembly

Page 5 of 16

Ref #	Part Number	Qty	S/P/F	Description
63	738-04156	1		Spiral Axle 28"
63	738-04158	1	S	Spiral Axle 33"
63	738-04159	1		Spiral Axle 45"
65	618-0246	1	S	Gear Housing Half - RH
67	714-0126	1	S	#9 HI-Pro Key 3/16 x 3/4 Dia HT
68	711-1133	1		Auger Drive Shaft
69	716-0111	1	/P	Snap Ring for .875 dia. shaft
70	721-0145	1	S	Oil seal for .875 ID Garlock (76 x 6133)
71	741-0217	1	S	Sleeve Bearing .875 ID
72	741-0184	1		Thrust Bearing .88 ID x 1.44 OD x .078
73	736-0291	1	S	Flat Washer .88 ID x 1.4 OD x .125
74	717-0299	1	S	Worm Gear LH Double Thread
76	736-0266	1	S	Flat Washer 1.5 ID x 2.0 OD x .03
77	717-1425	1	S	Worm Gear LH Double Thread (Bronze)
78	738-0275	1		Worm Gear Shaft
79	714-0135	1	S	#91 Woodruff Key 1/4 x 3/4 Dia.
80	618-0247	1	S	Gear Housing Half LH
80	618-0435	1	S	Gear Housing Half LH (w/grease fitting hole)
81	710-1260A	1	/P	Hex Flange Scr. 5/16-18 x .75
82	712-0429	1	S	Hex Ins. L-Nut 5/16-18
83	714-0135	1	S	#91 Woodruff Key 1/4 x 3/4 Dia.
84	750-04020	1		Spacer
85	741-0192	1		Flange Bearing
87	738-04155	1		Shear Bolt 5/16-18 x 1.75
90	05845C	1		Bearing Housing
90	784-0315A	1		Bearing Housing (for 45")
91	741-0192	1		Flange bearing w/flats
92	737-3000	1	S	Grease Fitting (optional)
96	618-0257	1		Worm Gear Box Ass'y
96	618-0436	1		Worm Gear Box Ass'y (w/grease fitting)
98	784-5697	1		Reversible Slide Shoe
100	684-04151	1		Left Hand Augers
100	684-04152	1		Right Hand Augers
101	749-1117	1		Support Tubing (33" & 45" Only)
102	731-2635	1		Cleanout Tool Mount



31AE9P6J590 SB-945 (2005-2)  
Drive Assembly

Page 7 of 16

Ref #	Part Number	Qty	S/P/F	Description
1	618-0279	1	S	LH Dog Assembly
2	618-0280	1	S	RH Dog Assembly
3	618-0282D	1	S	Steering Shaft Assembly
4a	618-04178	1	S	Wheel Ass'y Bearing 6.0" OD
4b	718-04034	1		Friction Wheel Bonded
4c	710-0896	1	/P	Hex Wash. Hd. TT Scr. 1/4-14 x .625
5	684-04103	1	S	Shift Ass'y Rod
6	684-0118	1	S	Actuator Auger Bracket Ass'y
7	684-0119	1	S	Actuator Drive Bracket Ass'y
8	684-0122	1		32T Sprocket Ass'y
9	684-0161	1	S	Shift Arm Ass'y
10	684-0162	1	S	Support Bracket Ass'y
11	710-0195	1	S	Hex Scr 1/4-28 x .625" Lg
12	710-0538	1	/P	Hex L-Bolt 5/16-18 x .62
13	710-0599	1	/P	Hex Wash S-Tapp Scr 1/4-20 x .50
14	710-0726	1	/P	Hex Wash Hd Tap Scr. 5/16-18 x .75
15	710-0788	1	/P	Hex Bolt 1/4-20 x 1.00
16	710-1652	1	/P	Hex Wash Hd TT Scr. 1/4-20 x .625
17	710-1879	1		Hex Hd. C-Sunk Scr. 3/8-16 x.880 Gr. 5
18	710-3001	1	/P	Hex Hd. C-Sunk Scr. 3/8-16 x .880 Gr. 5
19	710-3008	1	/P	Hex Bolt 5/16-18 x .75" Lg. Gr. 5
20	710-3103	1	/P	Hex Hd Cap Scr. 5/16-18 x 2.0 Gr. 5
21	710-3180	1	/P	Hex Screw 5/16-18 x 1.75" Lg.
22	711-04279	1	S	Hex Drive Shaft
23	711-1193	1		Actuator Shaft
24	711-1194	1		Actuator Drive Shaft
25	712-0116	1	S	Hex Nut 3/8-24
26	712-0138	1	S	Hex Nut 1/4-28
27	712-0413	1	S	Hex Jam Locknut 5/8-18 Gr. 5 Nylon
29	712-0717	1		Nut Insert 3/8-16 UNC
30	712-3017	1	S	Hex Nut 3/8-16
31	712-3010	1	S	Hex Nut 5/16-18 hd. (Gr. 5)
32	713-0284	1		#41 Chain 1/2" pitch x 36 links- Endless
33	713-0286	1	/P	#420 Chain 1/2" pitch x 40 links-Endless
34	713-04015	1	S	10T Sprocket #41 x .500
35	714-0101	1	S	Internal Cotter Pin
36	714-0104	1	S	Int. Cotter Pin 5/16 DIA
37	714-0115	1	S	Cotter Pin 1/8 x 1.0
38	714-0388	1	S	No. 61 Hi-Pro Key 3/16 x 5/8
39	716-0136	1		E-ring .875 diam.
40	717-0302	1	S	Aluminum Drive Plate
41	732-0121	1	S	Idler Extension Spring
42	732-0209	1	S	Extension Spring .47 OD x 2.03 Lg.
43	736-0119	1	S	L-Wash 5/16 ID
44	736-0158	1	S	Lockwasher 5/16 ID
45	736-0160	1	S	Flat Washer .531 ID x .930 OD
46	736-0163	1	S	Flat Washer 1.03 ID x 1.62 OD x .03
47	736-0217	1	S	Lockwasher Heavy 3/8" ID
48	736-0242	1	/P	Cupped Washer .345 ID x .88 OD x .06
49	736-0300	1	S	Flat Washer .385 ID x .87 OD x .06
50	736-0329	1	S	L-Wash 1/4 ID
51	736-0623	1	S	Flat Washer .64 ID x 1.24 OD x .06

31AE9P6J590 SB-945 (2005-2)  
Drive Assembly

Page 8 of 16

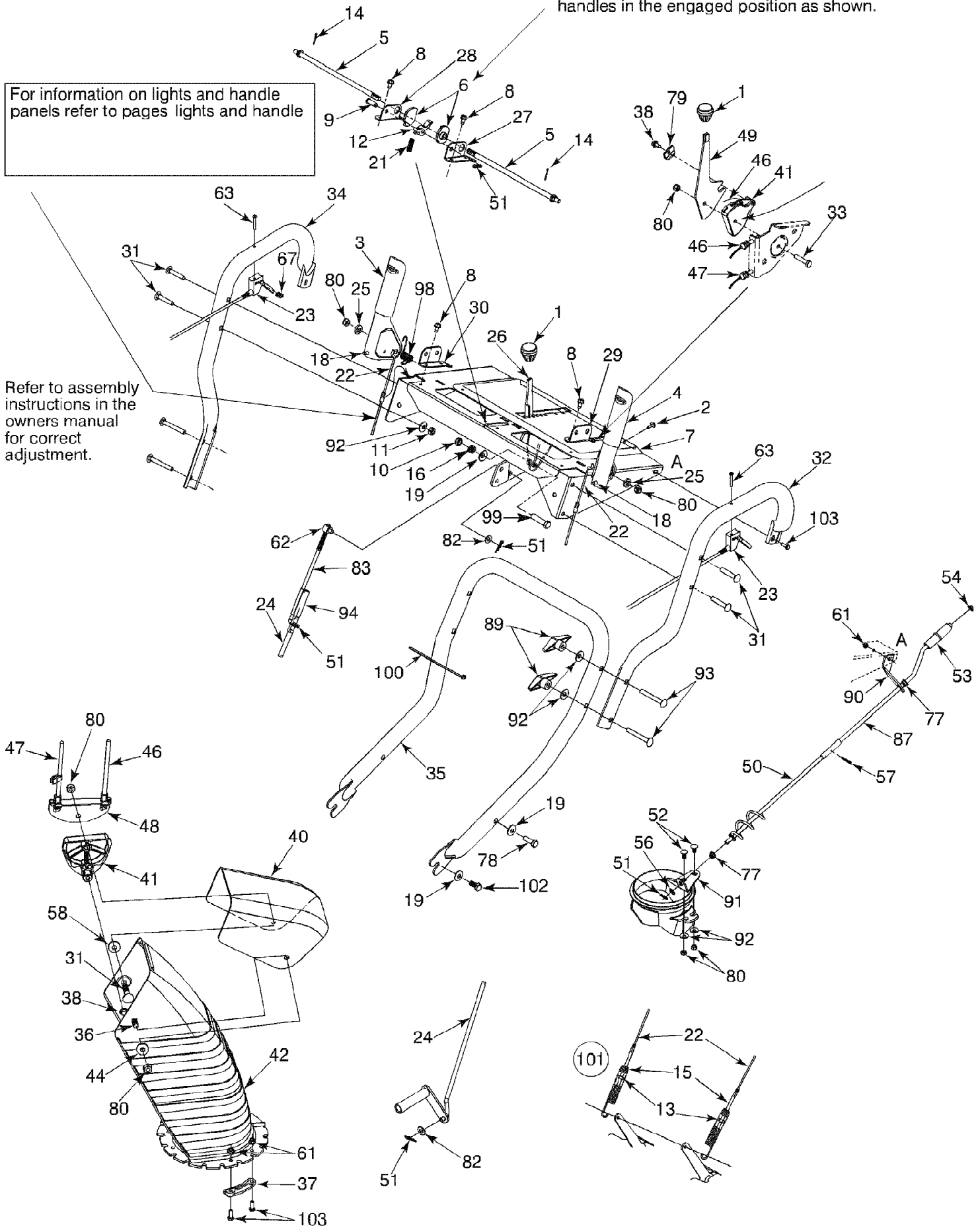
Ref #	Part Number	Qty	S/P/F	Description
52		1		Lubricant - LPS 2 Industrial Strength (purchase locally)
53	737-0318	1	S	Grease:Arctic:EP NLGI 1-58F
54	737-3000	1	S	Grease Fitting
55	738-0143	1	/P	Shld. Scr. .500 Dia. x .335" Lg.
56	738-0279	1		Drive Plate Spindle
57	738-0924	1	S	Hex Shld.Scr.1/4-28 x .375
58A	741-0163A	1	/P	Bearing Hsg. Ass'y.
58B	08253B	1	/P	Brg. Housing 1.85" ID
58	741-0919	1	S	Ball Bearing .787 ID x 1.85 OD x .56
59	741-04025	1	S	Self aligning brg. 1.0 ID
60	741-0225	1	S	Hex Flange Bearing .630 ID
61	741-0563	1	S	Ball Bearing w/snap ring
62	741-04076	1		Ball Bearing .5625 ID x 1.3750 x .437
63	741-0748	1		Flange Bushing .500 ID x .627 OD
64	746-0949A	1	/P	Steering Cable
65	746-0951	1	S	Auger Idler Cable
66	747-0973	1		Drive Clutch Rod
67	750-0903	1	S	Split Spacer 1/2 x 5/8 x 2.69
68	750-0997	1	S	Spacer .625 ID x 1.0 OD x .23
69	750-1302A	1	/P	Spacer .6725ID x 1.125OD x 2.485
70	756-0344	1	/P	1/2" "V" Pulley .625 ID x 7.50 OD
71	756-0625	1		Cable Guide Roller
72	784-0379	1		Upper Frame Cover
73	784-0380	1		Lower Frame Cover
74	784-0384	1	S	Auger Cable Bracket Guide
75	784-0403	1	S	Shift Bracket
76	784-0404	1		Bearing Retaining Bracket
77	790-00162	1		Transmission Frame Ass'y (900)
78	784-0406	1	S	Frame Support Bracket
79	784-0407	1	S	Axle Brg. Support Bracket
80	738-1164A	1	/P	Axle.995 x 14.10" Lg (33")
80	738-1165A	1	S	Axle .995 x 12.6" Lg. (28")
80	738-1166A	1	/P	Axle .995 x 20.4" Lg. (45")
81	734-1531	1		Wheel Assembly - LH /RH (31AE9M6) 16.5 X 4.8 Snow Hog
81	634-0225	1		Wheel Assembly - LH (31AE9P6) 16 x 6.5 x 8 X-Trac
81	634-0226	1		Wheel Assembly - RH (31AE9P6) 16 x 6.5 x 8 X-Trac
81	734-1530	1		Tire 16.5 X 4.8 Snow Hog
81	634-0231	1		Tire 16.5 X 6.5 x 8 X-Trac
81	734-1532	1		Rim for 16.5 X 4.8 Snow Hog
81	734-2031	1		Rim for 16.5 X 6.5 x 8 X-Trac
82	714-0151A	1	/P	Klik Pin
83	741-0246A	1		Bearing 1.0 ID x 1.127 OD x 1.00
84	734-0255	1	S	Air Valve
85	05244A	1	S	Bearing Housing
86	712-04065	1	/P	Flange L-Nut 3/8-16 Gr. F Nylon
87	712-04063	1	/P	Flange L-Nut 5/16-18 Gr. F Nylon



31AE9P6J590 SB-945 (2005-2)  
Handle Assembly

For information on lights and handle panels refer to pages lights and handle

Flats (#6) parallel to rear when installing engagement handles in the engaged position as shown.



31AE9P6J590 SB-945 (2005-2)  
Handle Assembly

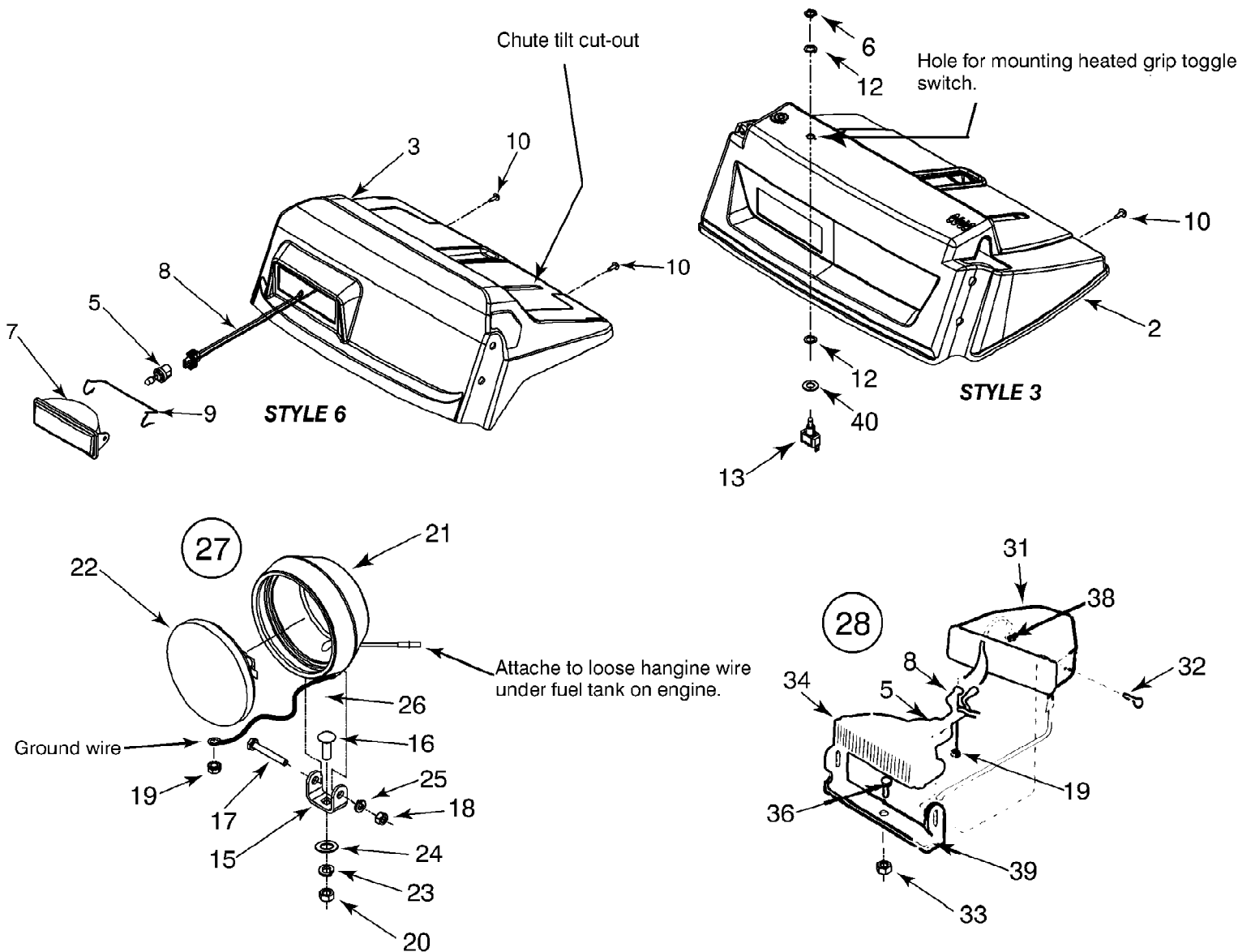
Page 10 of 16

Ref #	Part Number	Qty	S/P/F	Description
1	720-0232	1	S	Shift Knob
2	710-0351	1	/P	Truss Mach B-Tapp Scr #10-16 x .50 Gr. 5
3	705-5218	1		Engagement Handle RH Black
4	705-5219	1		Engagement Handle LH Black
5	747-0877	1		Cam Rod
6	748-0362	1		Cam Handle Lock
7	684-0102	1		Handle Panel Ass'y w/tilt
7	684-0103	1		Handle Panel Support Ass'y w/o slot
8	710-0599	1	/P	Hex Wash S-Tapp Scr 1/4-20 x .50
9	711-0653	1	/P	Clevis Pin .31 Dia. x 1.0" Lg.
10	712-0116	1	S	Hex Nut 3/8-24 Gr. 5
11	712-3010	1	S	Hex Nut 5/16-18 hd. Gr. 5
12	748-0363	1	S	Cam Lock Pawl
13	712-0324	1	/P	Hex Ins. Locknut 1/4-20
14	714-0507	1	S	Cotter Pin 3/32 x .75
15	732-0184	1	/P	Extension Spring
16	732-0193	1	/P	Compression Spring .39 ID x .88 Lg
18	735-0199A	1	S	Rubber Bumper
19	736-0105	1	/P	Cupped Washer .401 ID x .870 OD x .063
21	732-0145	1	/P	Compression Spring .36 DIA x 1.0" LG.
22	746-0952	1		Clutch Cable
23	746-0950A	1	/P	Trigger Assembly
24	747-0983A	1	/P	Lower Shift Rod
25	736-0509	1		Washer (special)
26	784-5619A	1	S	Shift Lever
27	784-5679	1	S	LH Handle Support Brkt. 5/8"
28	784-5680	1	S	RH Handle Support Brkt. 5/8"
29	784-5681	1	/P	LH Handle Support Brkt. 3/8"
30	784-5682	1	S	RH Handle Support Brkt. 3/8"
31	710-0458	1	/P	Carriage Bolt 5/16-18 x 1.75" Lg.
32	749-0989A	1		LH Upper Handle
33	710-0805	1	/P	Hex Cap Scr. 5/16 - 18 x 1.50" Lg. Gr. 5
34	749-0990A	1		RH Upper Handle
35	749-0991	1		Lower Handle
36	710-0276	1	/P	Carriage Bolt 5/16-18 x 1.00" Lg
37	731-0851A	1	/P	Chute Flange Keeper
38	710-0895	1		Hex HL Index Washer Screw 1/4-15 X .75
40	731-0846C	1	/P	Upper Chute Remote Tilt
41	731-1313C	1	/P	Cable Guide
42	731-0903D	1	S	Lower Chute Remote Tilt
44	736-0159	1	S	Flat Washer .349 ID x .879 OD x .063
46	746-0902	1	S	Chute Control Cable 66"
47	746-0903	1	S	Chute Control Cable w/clip
48	784-5594	1		Cable Bracket Chute Tilt
49	784-5604	1	S	Chute Tilt Handle
50	684-0053B	1	S	Lower Chute Crank
51	714-0104	1	S	Int. Cotter Pin .072 x 1.13" Lg.
52	710-0451	1	/P	Carriage Bolt 5/16-18 x .75 Gr. 2
53	720-0201A	1	/P	Knob 1.0 x 3.2
54	726-0100	1	S	Push Nut 3/8" Rod
56	736-0185	1	S	Flat Washer .375 ID x .738 OD X.063
57	714-0101	1	S	Internal Cotter Pin
58	736-0231	1	S	Flat Washer .344 ID x 1.125 OD x .125

31AE9P6J590 SB-945 (2005-2)  
Handle Assembly

Page 11 of 16

Ref #	Part Number	Qty	S/P/F	Description
61	712-04064	1	/P	Hex Flg. L-Nut 1/4-20 Gr. F Nylon
62	711-0677	1	S	Adjustment Ferrule
63	710-1625	1		Oval C-Sunk Screw #10-24 x 1.75
77	741-0475	1	S	Plastic Bushing .380 ID
78	710-1878	1	S	Hex Screw 3/8-16 x 1.75 Gr.5 w/patch
79	736-0506A	1	/P	Contour Washer
80	712-04063	1	/P	Hex Flg. L-Nut 5/16-18 Gr. F Nylon
81	712-3027	1	S	Hex L-Flanged Nut 1/4-20 Gr. "F"
82	736-0275	1	S	Flat Washer .344 ID x .688 OD x .065
83	747-0997	1		Upper Shift Rod
84	710-3015	1	/P	Hex Screw 1/4-20 x .75" Lg. Gr. 5
87	747-0624	1	S	Upper Chute Crank Assembly
89	720-0284	1	S	Wingnut Knob, 5/16-18
90	705-5266	1	S	Upper Chute Crank Support
91	784-5123	1	S	Lower Chute Crank Brkt.
92	736-0242	1	/P	Cupped Washer .340 ID x .872 OD x .06
93	710-0572	1	/P	Carriage Bolt 5/16-18 x 2.50
94	750-0963	1	S	Connector - Shift Rod
98	732-0746	1		Torsion Spring .44 ID
99	710-0459A	1	/P	Hex Scr 3/8-24 x 1.50 Gr. 5
100	725-0157	1	/P	Cable Tie
101	646-0012	1		Auger/Drive Cable Assembly
102	710-1879	1		Hex Screw 3/8-16 x .880 Gr. 5
103	710-0597	1	/P	Hex Screw 1/4-20 x 1.00 Gr. 5



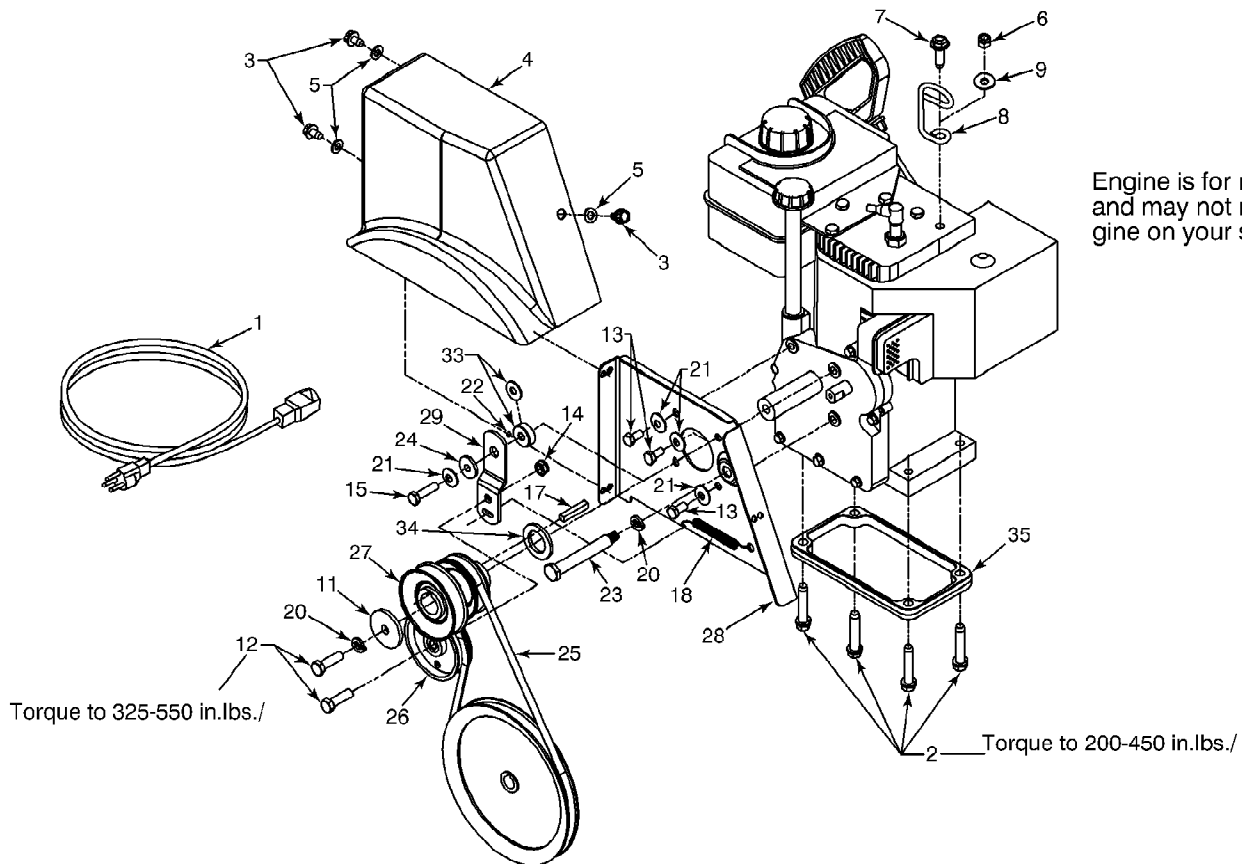
31AE9P6J590 SB-945 (2005-2)  
Lights & Handle

Page 13 of 16

Ref #	Part Number	Qty	S/P/F	Description
2	731-1737A	1		Black Handle Panel (w/light cut out and chute tilt cut out) STYLE 3
2	731-0061	1		Black Handle Panel (w/hole for top mounting light and chute tilt cut out) STYLE 3
2	731-1873A	1		Yellow Handle Panel (w/hole for top mounting light and chute tilt cut out) STYLE 3
2	731-2564	1	S	Yellow Handle Panel (w/ light cut out, chute tilt cut out & heated grips) STYLE 3
2	731-2606	1		Black Handle Panel (w/light cut out & w/o chute tilt cut out) STYLE 3
3	731-2516	1		Grey Handle Panel (w/light cut out and chute tilt cut out) STYLE 6
3	731-2519	1		Grey Handle Panel (w/hole for top mounting light and chute tilt cut out) STYLE 6
3	731-2298	1		Black Handle Panel (w/hole for top mounting light and chute tilt cut out) STYLE 6
3	731-1582A	1		Black Handle Panel ( w/light cut out and chute tilt cut out) STYLE 6
5	725-1658	1	S	Bulb #890, 12 V, 27 Watt
5	725-1759	1	S	Bulb, #886, 12 V, 50 Watt (Style 3 w/heated grips)
6	712-0693	1	/P	Hex Nut
7	725-1672	1	S	Headlight Housing
8	629-0059	1	S	Wire Harness
9	747-1136	1	/P	Retainer
10	710-1003	1	/P	Hex Tapp Wash Hd. Scr. #10 x 5/8
12	716-0398	1		Lock Ring - Toggle Switch
13	725-1756	1	S	Toggle Switch,Single Throw (heated grips)
14	629-04010	1		Dual Light Wiring Harness
15	13359	1		Mounting Lamp Bracket
16	710-0276	1	/P	Carriage Bolt 5/16-18 x 1.00" Lg
17	710-0559	1		Hex Screw 1/4-28 x 1.75 Gr 5
18	712-0138	1	S	Hex Nut 1/4-28 Gr 5
19	712-0271	1	/P	Sems Hex Nut 1/4-20
20	712-3010	1	S	Hex Nut 5/16-18 hd. Gr. 5
21	725-0586	1		Lamp Housing
22	725-1300	1	S	Sealed Beam 18 Watt CGE #4414-1
23	736-0119	1	S	L-Wash 5/16 ID
25	736-0329	1	S	L-Wash 1/4 ID
26		1		Ground Wire
27	725-1301	1		Top Mount 18 watt Lamp Ass'y (sealed beam)
28	625-0007	1	S	Top Mounting Halogen Lamp Assembly
31	731-1364	1		Halogen Lamp Housing
32	710-1240	1		Phillips Pan Hd. Scr. M4 x 16mm
33	712-04063	1	/P	Hex Flange Locknut 5/16-18 Gr. F Nylon
34	725-1669	1	S	Lamp/Lens Housing Ass'y
36	710-0451	1	/P	Carriage Bolt 5/16-18 x .75
38	735-0225	1		Ground Wire .50 OD X .12

31AE9P6J590 SB-945 (2005-2)  
Lights & Handle

Ref #	Part Number	Qty	S/P/F	Description
39	705-5217	1		Lamp Mounting Brkt.
40	736-0226	1	S	Flat Washer .474 ID x .879 OD x .064



31AE9P6J590 SB-945 (2005-2)  
Pulley & Drive Assembly

Page 16 of 16

Ref #	Part Number	Qty	S/P/F	Description
1	629-0071	1	S	Extension Cord 10 Ft.
2	710-1008	1		Hex L-Wash TT Scr. 3/8-16 x 1.8 (for 10 & 11 HP)
2	710-0502A	1	/P	Hex Washer Scr 3/8-16 x 1.25 (for 12 & 13 HP)
3	710-0607	1	/P	Hex Wash HD S-Tapp Scr 5/16-18 x .50
4	731-2531	1	S	Plastic Belt Cover
5	736-0264	1	S	Flat Washer .330 ID x .630 OD x .0635
6	712-04064	1	/P	Hex Flg. L-Nut 1/4-20 Gr. F Nylon
7	710-0602	1	/P	Hex Wash Hd Tapp Scr 5/16-18 x 1.00
8	732-0705	1		Cable Control Wire
9	736-0173	1	/P	Flat Washer .28 ID x .74 OD x .063
11	736-0322	1	/P	Flat Washer .450 ID x 1.250 OD x .164
12	710-0191	1	/P	Hex Screw 3/8-24 x 1.25 Gr. 8 Special
13	710-0237	1	/P	Hex Screw 5/16-24 x .625 Gr. 5
14	712-0116	1	S	Hex Nut 3/8-24 Gr. 5 Nylon
15	710-0672	1	/P	Hex HD. Cap Scr. 5/16-24 x 1.25 Lg. Gr 5 (for 10 & 11 HP)
15	710-1245B	1	/P	Hex Screw 5/16-24 x .875 Gr. 5 Lock (for 12 & 13 HP)
17	714-0118	1	/P	Square Key 1/4 x 1/4 x 1.50" Lg.
18	732-0303	1	S	Brake Return Ext. Spring 3.18" Lg.
20	736-0217	1	S	Lockwasher Heavy 3/8" ID
21	736-0242	1	/P	Cupped Washer .340 ID x .872 OD x .06
22	737-0318	1	S	Grease Arctic
23	738-0982	1		Shoulder Screw .498 x 3.245 x 3/8-16 (for 10 & 11 HP)
23	738-0215A	1	/P	Shoulder Screw .498 Dia x 3.00 (for 12 & 13 HP)
24	748-0234	1	/P	Shoulder Spacer .25 THK
25	754-0131	1	S	V-Belt 3/8 x 35.5" Lg.
26	756-0240	1		Flat Idler w/flanges 3.0 OD
27	756-0241B	1	/P	Double Groove Engine Pulley
28	684-0123A	1	S	Belt Cover Bracket Ass'y
29	784-5726	1		Idler Bracket
33	748-0418	1		Spacer .33 ID x 1.01 OD x .36 (for 10 & 11 HP)
33	736-0159	1	S	Flat Washer .349 ID x .879 OD x .063 (for 12 & 13 HP)
34	750-1148A	1		Spacer 1.02 x 1.63 x .1425 (for 10 & 11 HP)
35	717-0882A	1	/P	Engine Spacer .560 Thick (for 10 & 11 HP)